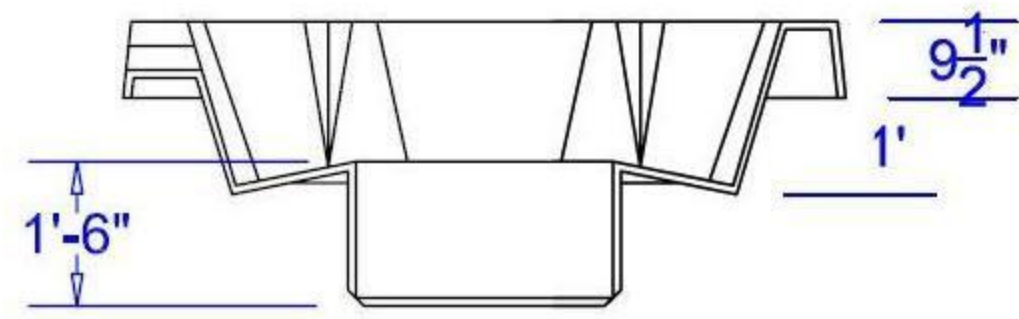
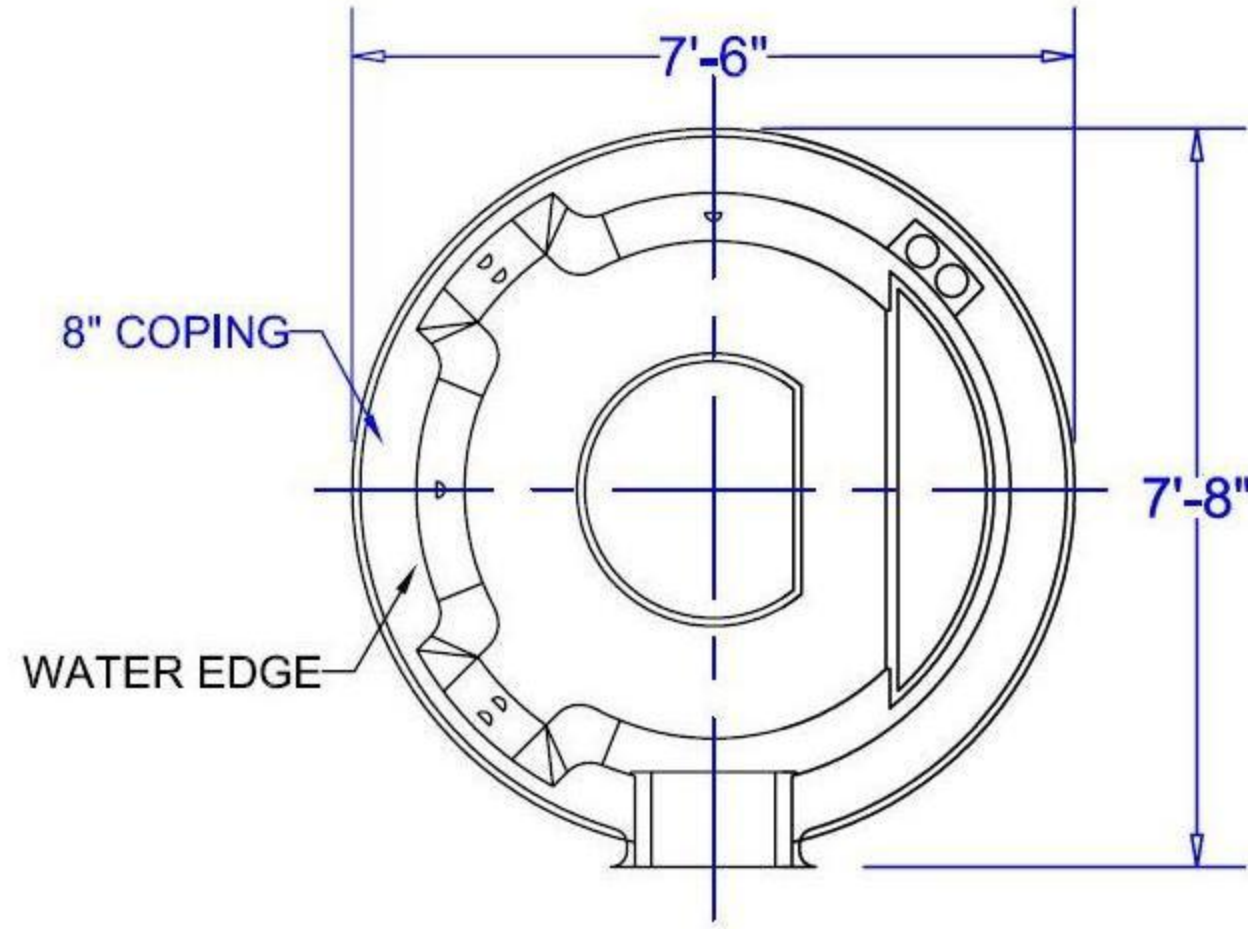


AREA: 44 SQ FT  
 PERIMETER: 24 FT



ALL MEASUREMENTS AND QUANTITIES ARE BASED ON AVERAGES

ALL DIMENSIONS ARE NOMINAL

ELECT. REQ. TBD

**APPROVED**

NAME: \_\_\_\_\_

DATE: \_\_\_\_\_

NOTES:

ALL MEASUREMENTS TO WATERS EDGE - ADD PREFERRED OVERDIG

DISCLAIMER

ALL DETAILS AND SPECIFICATIONS CONTAINED IN THIS DRAWING ARE BASED ON THE LATEST PRODUCT INFORMATION AVAILABLE AT THE TIME OF THE DESIGN AND WERE BELIEVED CORRECT. HOWEVER, ACCURACY CANNOT BE GUARANTEED. WATER WORLD FIBERGLASS POOLS N.E., INC. RESERVES THE RIGHT TO MAKE CHANGES ANYTIME, WITHOUT NOTICE OR OBLIGATION, TO ALL DESIGNS OR PRODUCTS. INVESTIGATION OF ZONING CODES SHOULD BE COMPLETED BY THE CUSTOMER PRIOR TO ORDERING.

90" x 92"  
 FIBERGLASS SPA  
 40" DEPTH

No.	Revision	Date



Project Name  
 File Copy

**WATER WORLD**  
 Fiberglass Pools  
 N.E., Inc.  
 700 Reading Avenue  
 Hammonton, NJ  
 08037  
 800-596-6224

Drawing	90x92
Date	
Scale	NOT TO SCALE